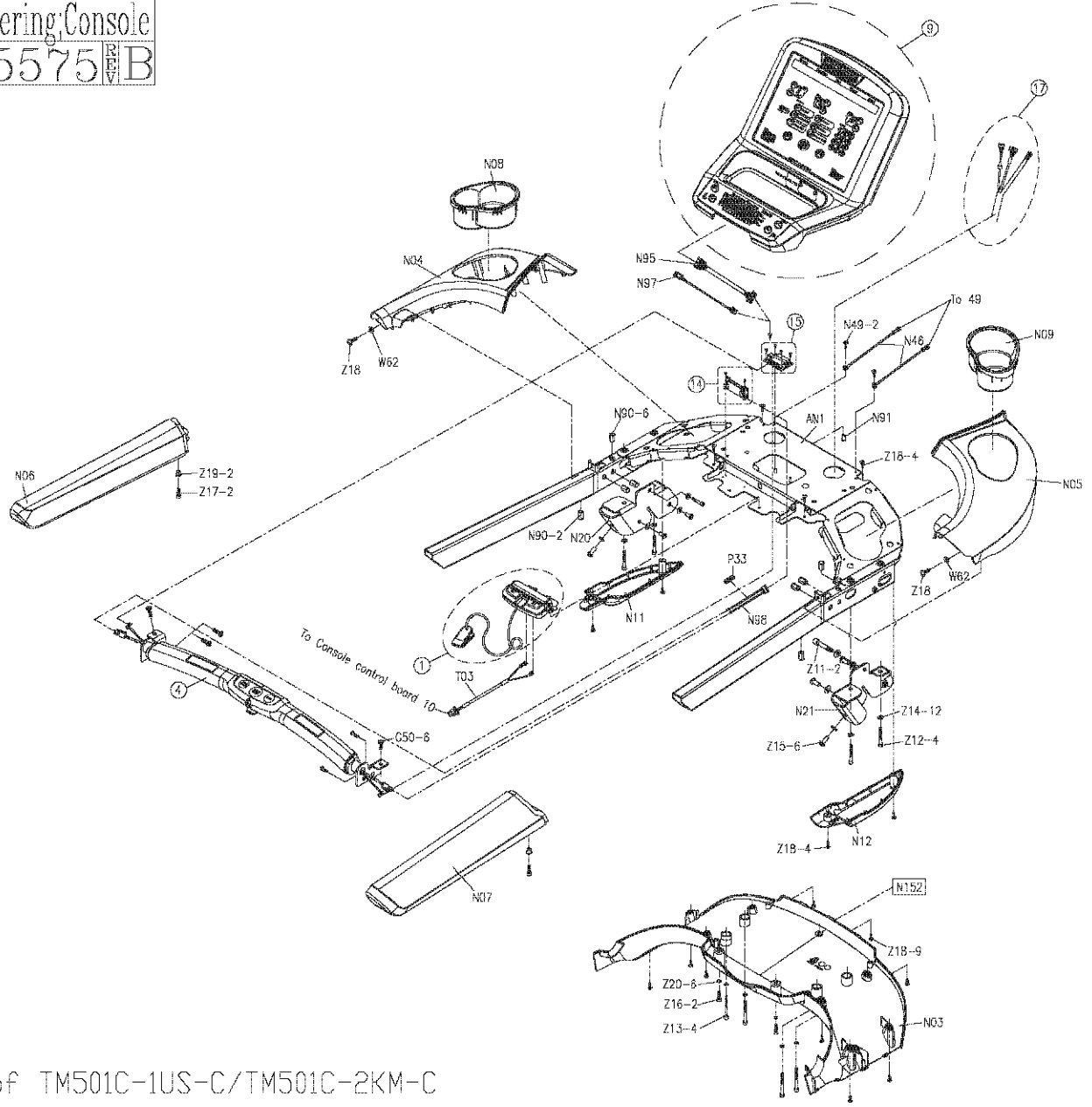
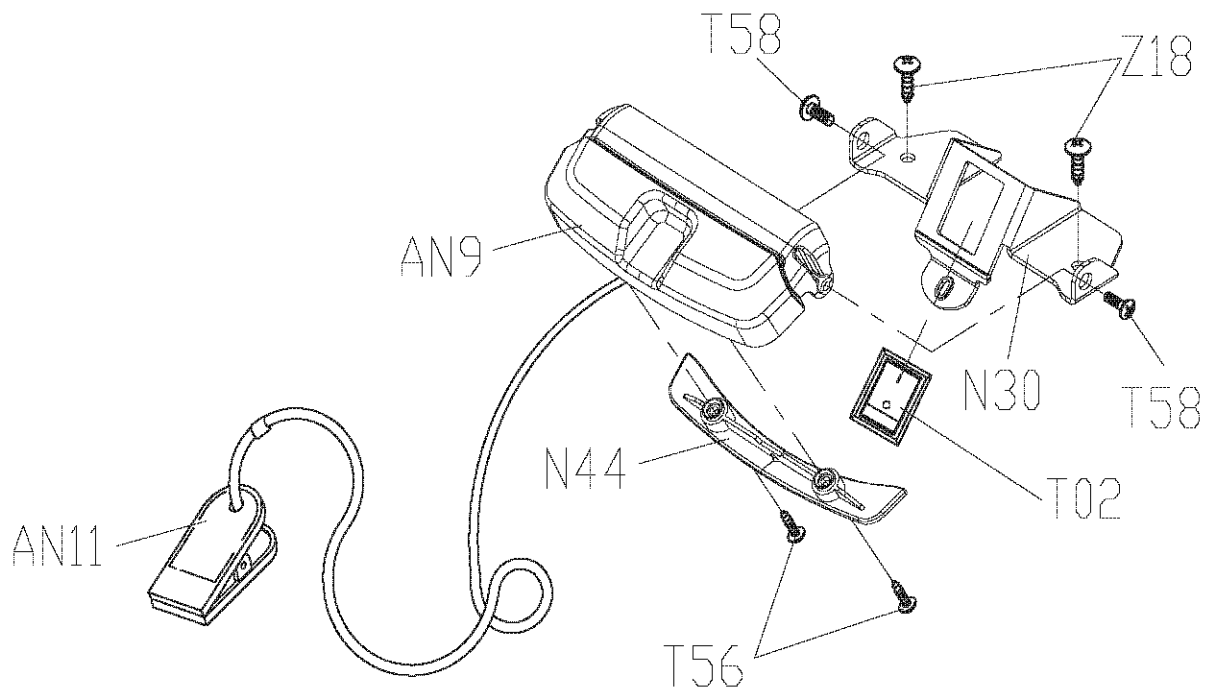



DRAWING NO 圖號	TM501C-A14
PART NAME(CH) 零件名稱(中文)	零件爆炸組;儀錶組
PART NAME(EN) 零件名稱(英文)	Explosive Rendering Console
SAP PART NO SAP料號	1000205575 REV B

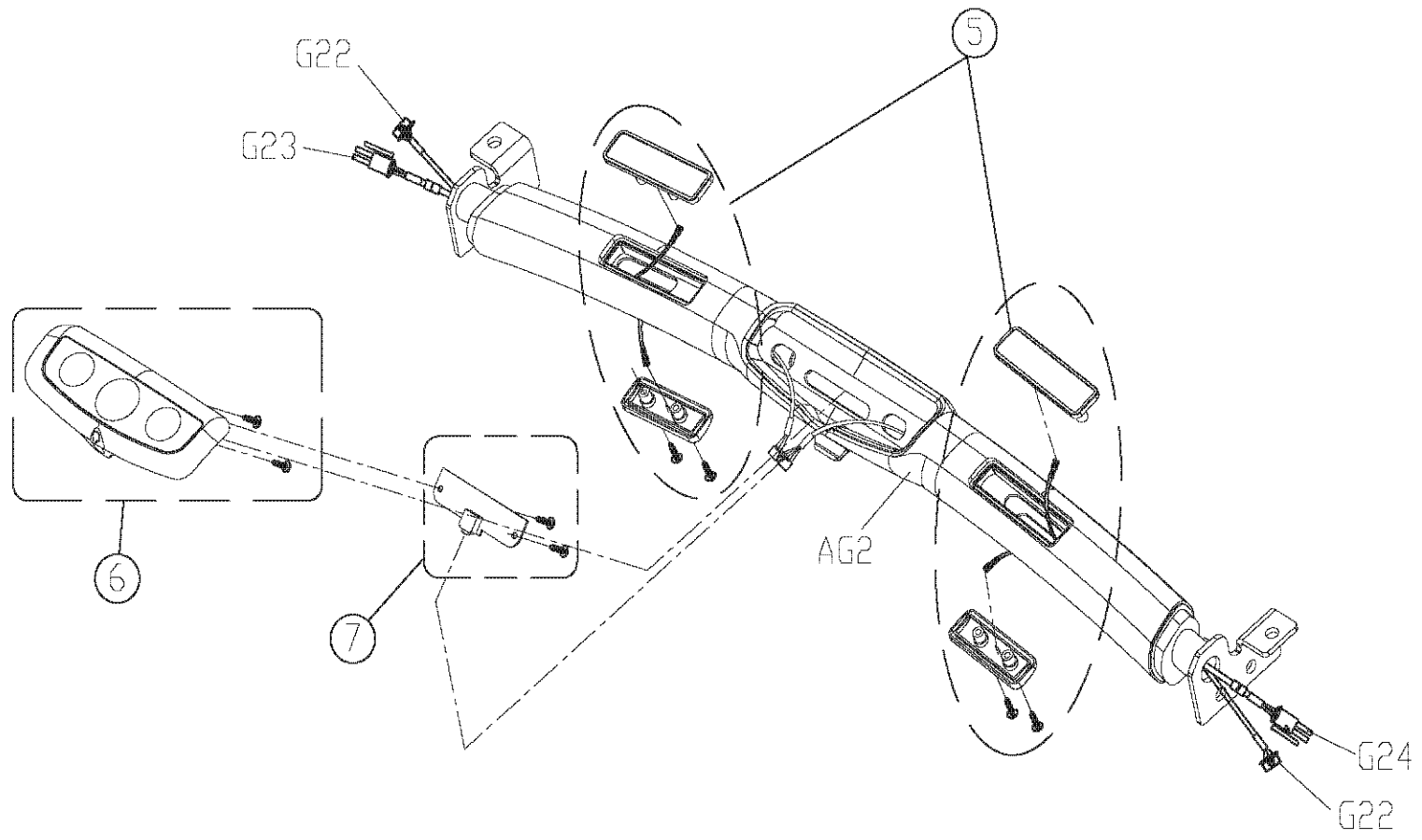


Service Drawing of TM501C-1US-C/TM501C-2KM-C

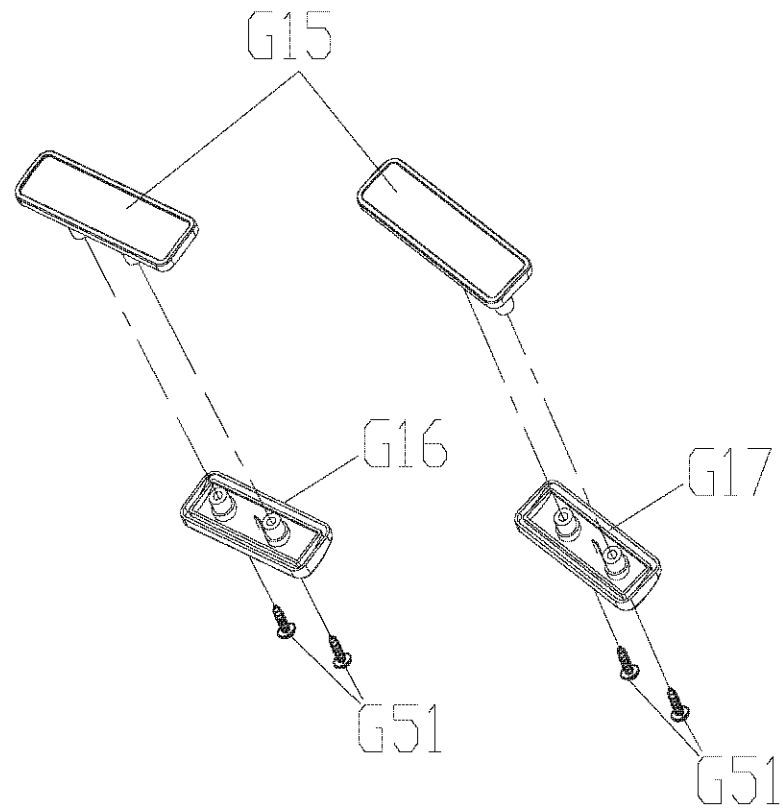
DRAWING NO 圖 號	TM501-AT5
PART NAME(CH) 零件名稱(中文)	安全開關組
PART NAME(EN) 零件名稱(英文)	Safety Key Set
SAP PART NO SAP料號	0000088982 A



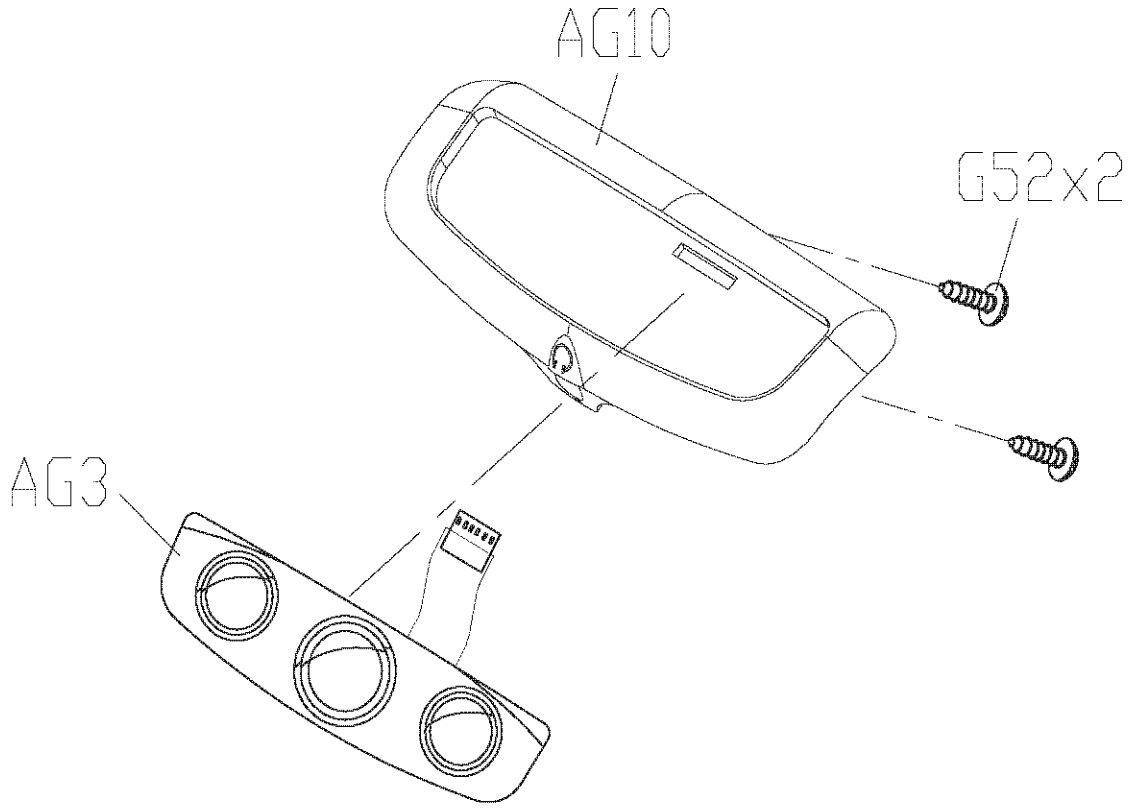
DRAWING NO	TM501-AG11		
PART NAME	Handlebar Set		
PART NO	As Attachment  B		
APPROVE	S.T.C	DATE	09.08.10



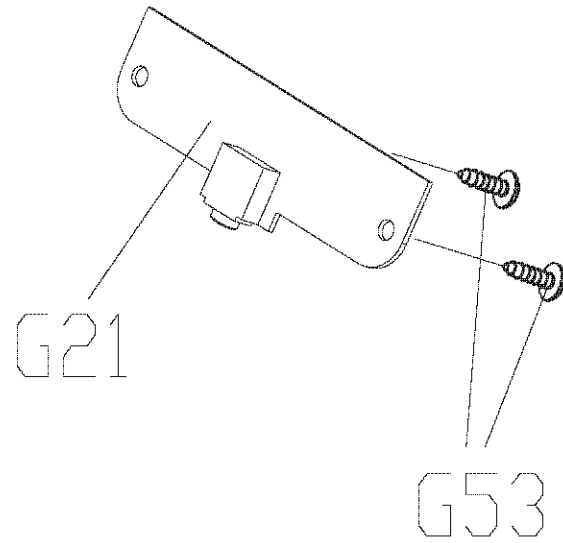
DRAWING NO 圖號	TM501-AG15
PART NAME(CH) 零件名稱(中文)	感應器護蓋組
PART NAME(EN) 零件名稱(英文)	Sensor Cover Set
SAP PART NO SAP料號	0000088986 A



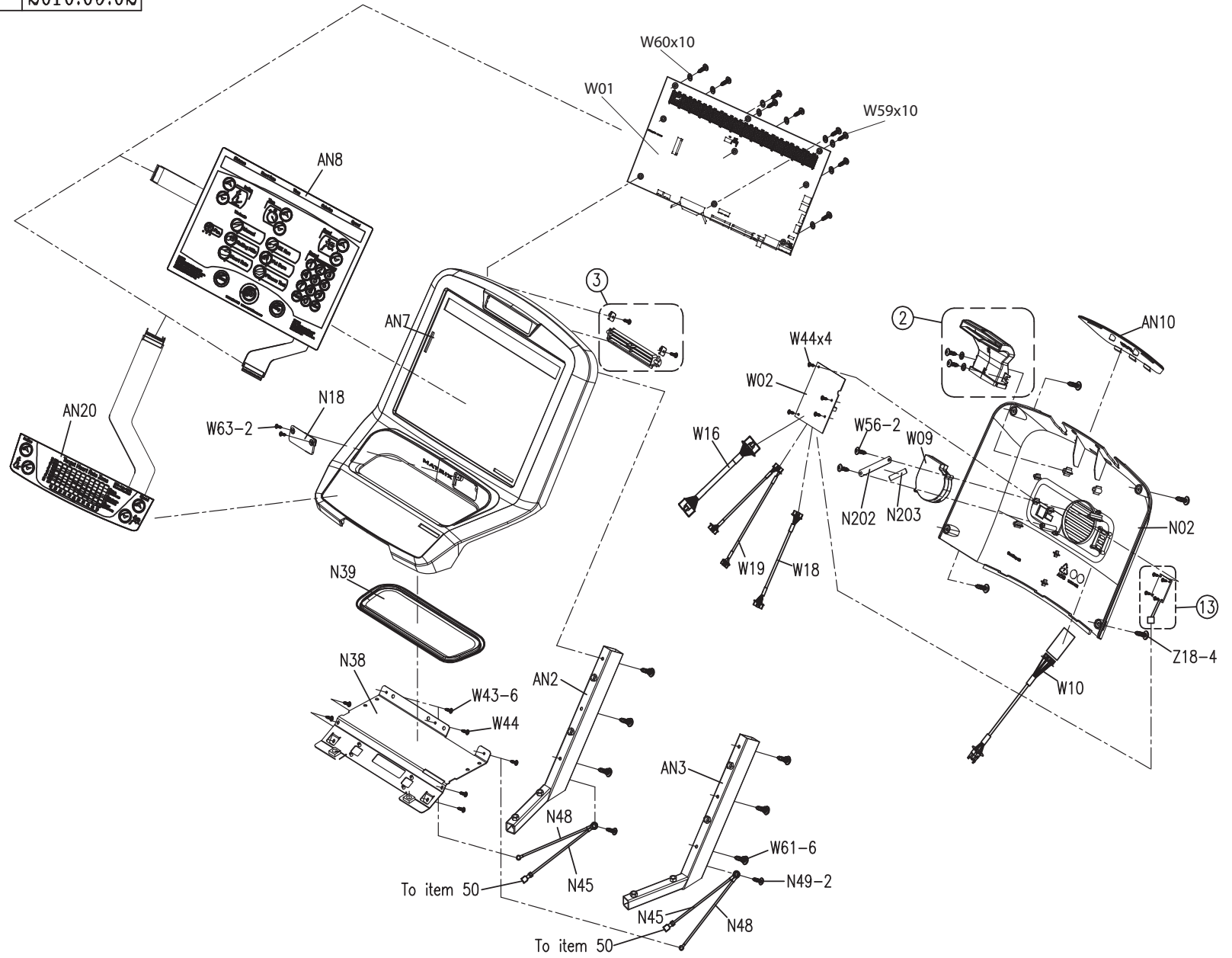
DRAWING NO	TM501-AG12		
PART NAME	Quick Start Overlay Set		
PART NO	As Attachment B		
APPROVE	S.T.C	DATE	09.08.10



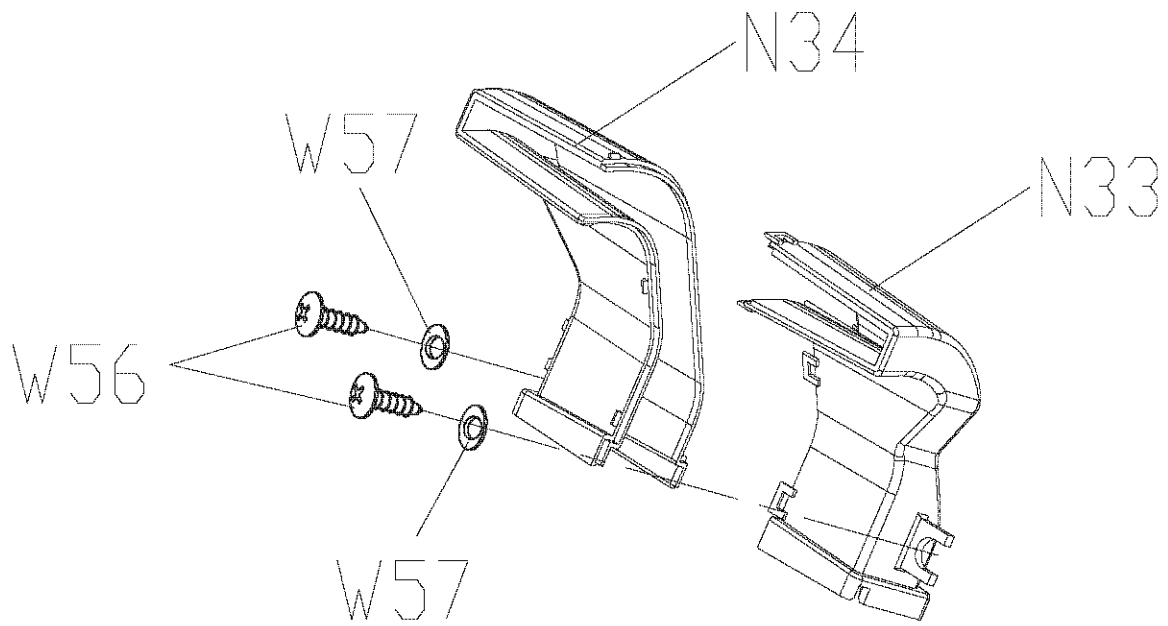
DRAWING NO 圖號	TM501-AG16
PART NAME(CH) 零件名稱(中文)	耳機小板組
PART NAME(EN) 零件名稱(英文)	Ear Phone Board Set
SAP PART NO SAP料號	0000094434 <sup>REV</sup> A



DRAWING NO	TM501-AN6		
PART NAME	Console Set		
PART NO	As Attachment J		
APPROVE	SHUYI	DATE	2010.09.02

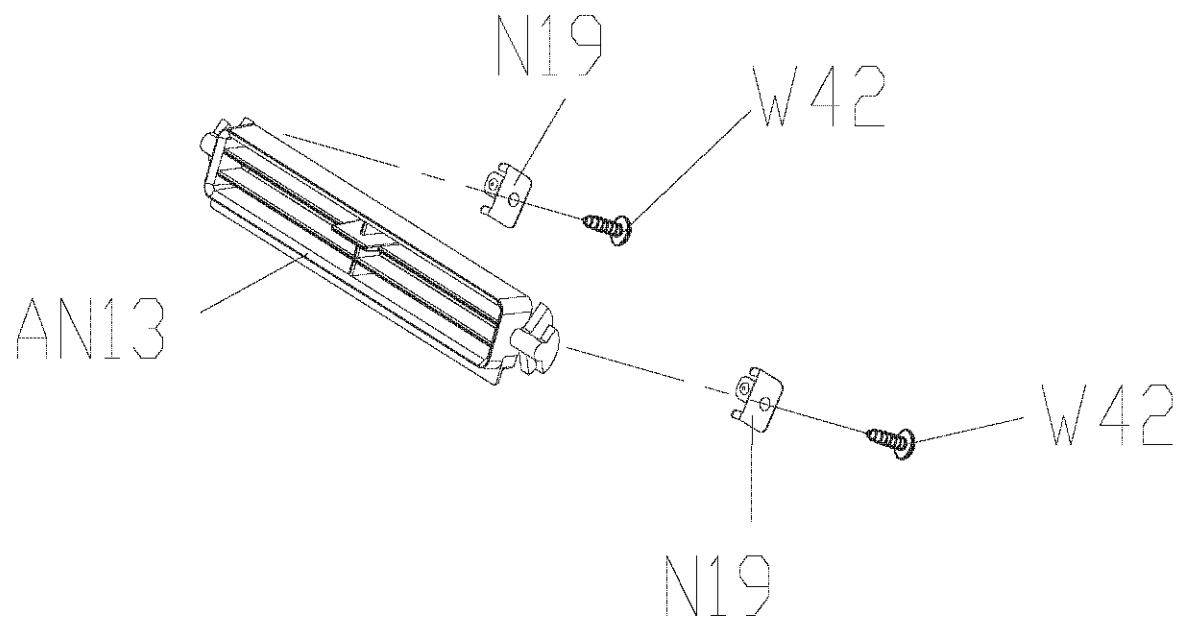


DRAWING NO 圖號	TM501-AN15
PART NAME(CH) 零件名稱(中文)	集風管護蓋組
PART NAME(EN) 零件名稱(英文)	FAN SHROUD SET
SAP PART NO SAP料號	0000088988 A

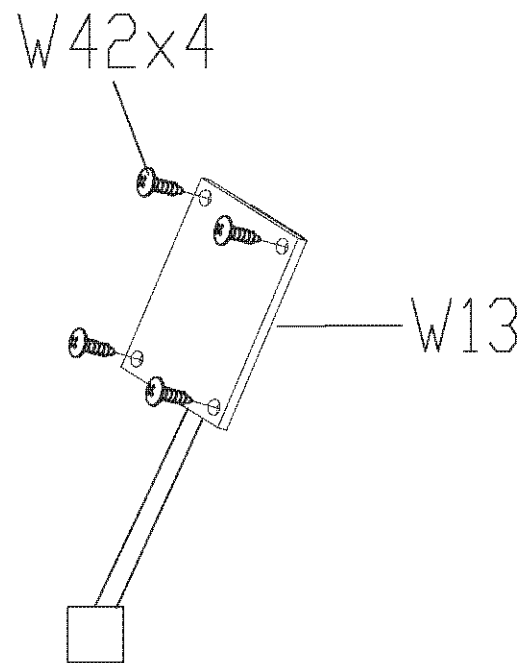




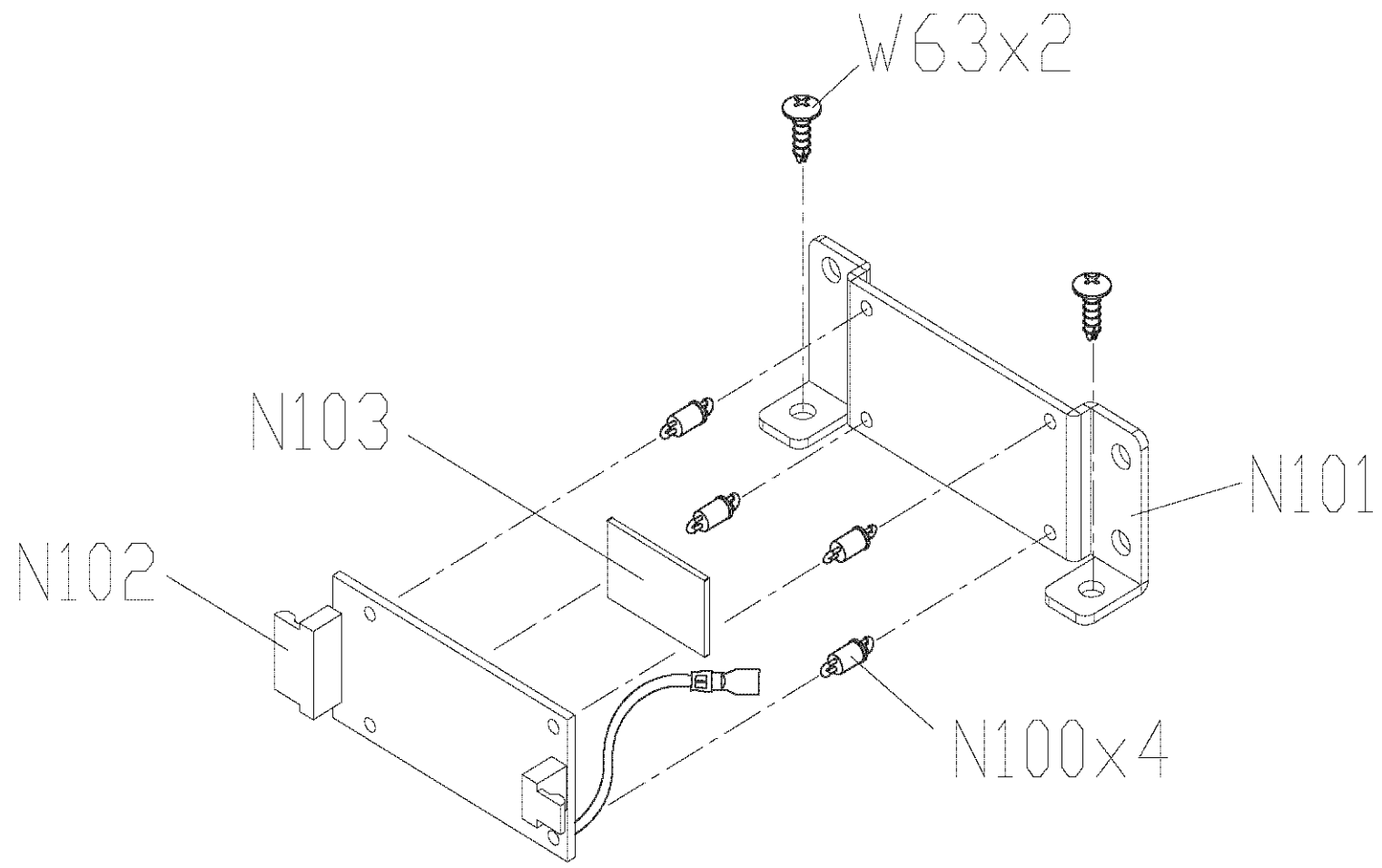
DRAWING NO 圖號	TM501-AN14
PART NAME(CH) 零件名稱(中文)	風扇護蓋組
PART NAME(EN) 零件名稱(英文)	FAN VENT SET
SAP PART NO SAP料號	0000088984



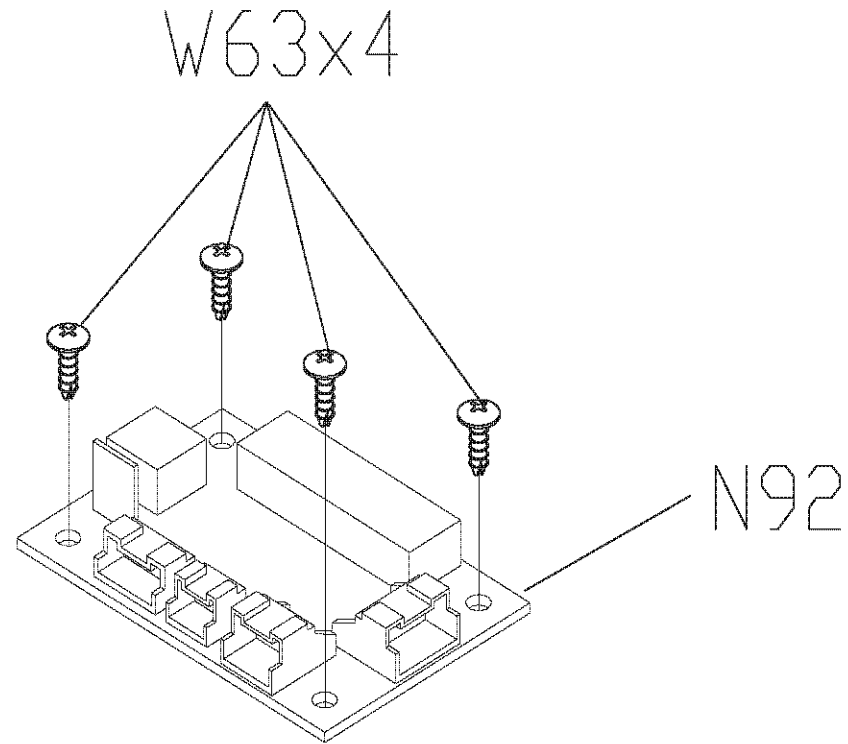
DRAWING NO 圖號	TM501-AW13
PART NAME(CH) 零件名稱(中文)	喇叭喇叭系目
PART NAME(EN) 零件名稱(英文)	Speaker Set
SAP PART NO SAP料號	0000089498  A



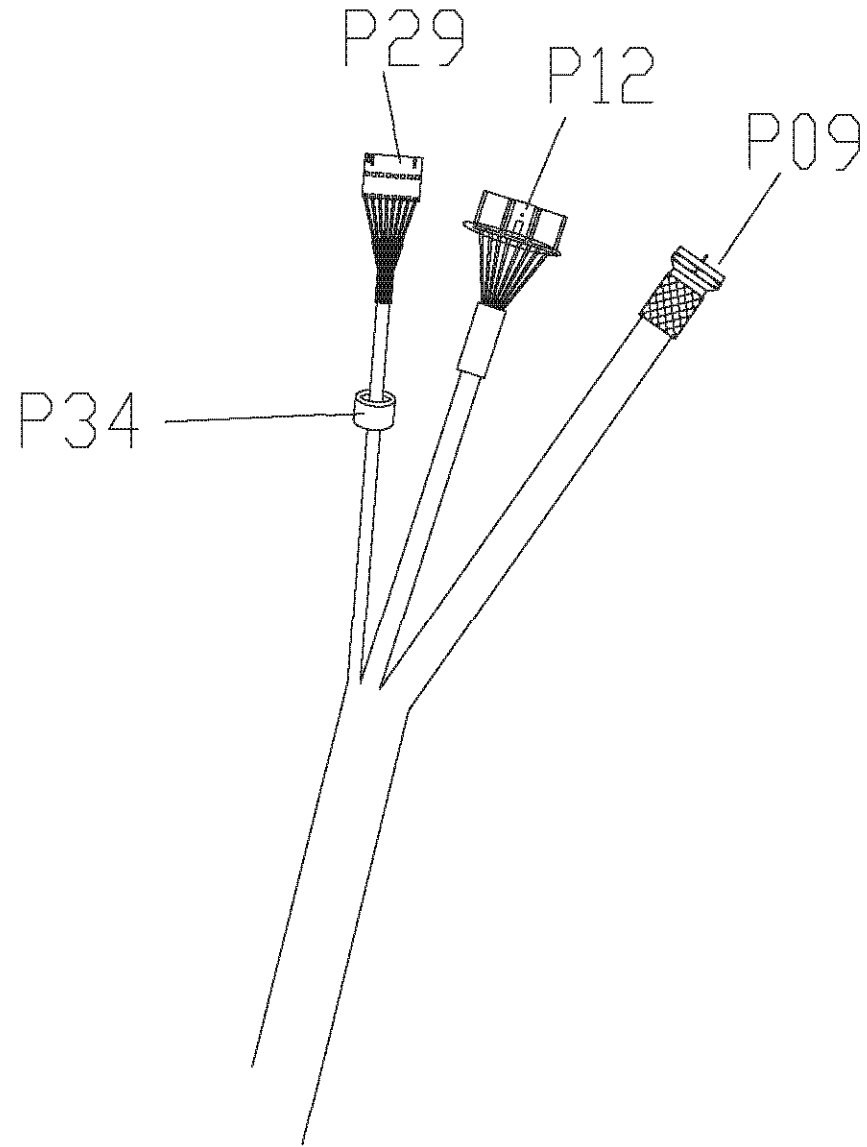
DRAWING NO 圖號	TM501-AN17
PART NAME(CH) 零件名稱(中文)	心跳板組
PART NAME(EN) 零件名稱(英文)	Pulse Receiver Set
SAP PART NO SAP料號	0000089110 A



DRAWING NO 圖號	TM501-AN16
PART NAME(CH) 零件名稱(中文)	儀錶轉接板組
PART NAME(EN) 零件名稱(英文)	UCB Interface Board Set
SAP PART NO SAP料號	0000089500 A



DRAWING NO 圖號	TM501C-AP10
PART NAME(CH) 零件名稱(中文)	儀錶線材組
PART NAME(EN) 零件名稱(英文)	Console Cable Set
SAP PART NO SAP料號	1000201166 A



Reference Number	Part #	Description	Notes
1	1000352464	Safety Key Set;;;Red Switch Clip;T5X-02-	
13	0000089498	Speaker Set;TM501;T5x-02;	
14	0000089110	Heart Rate Board;Receiver	Includes board receiver plus bracket and screws
15	1000354885	Connect Board;Console;;U138A2;H001;;;;	New connect board - see notes on the quick start overlay set (6).
15	1000404541	Earphone board set;;;Earphone board+Wir	
2	0000088988	Fan Shroud Set;Internal;TM501	
3	0000088984	Fan Vent Set;TM501;T5x-02;	
4	1000214665	HANDLEBAR SET;-;T5X-02;-;	Does NOT include quick keys. Also order Kit 5.
5	0000088986	HR Grip Cover Set;TM501;SBOM;	Notes: Contains updated 9-pin earphone board. If installing kit on unit with original 8-pin board, you must also replace the headphone jack wire, 1000354653, and the connect board, 1000354885. See service bulletin "Earphone Board Update".    Has a black overlay instead of the original white.
6	1000385828	Overlay Set;Start Quick;;English;;TM520;	Kit that includes earphone board, connect board, and connecting wire. See service bulletin "Earphone Board Update".
7	1000404541	Earphone board set;;;Earphone board+Wir	
AN1	0000085927	Console Base Frame Set;BL;TM501;	
AN10	0000086724	Cover;Console Display;TV Rack;Printing;T	
AN11	1000352475	Switch Clip Set;Safety;;Red;	
AN2	0000084692	Bracket;Console Support MTG;Left;BL;TM50	
AN20	1000208035	Overlay Set;TV;25key;T5x-05 - D/C, NO REPL Part will show as orderable until stock is depleted	YES TV used for REFURB console
AN20	0000093275	Entertainment Overlay Set;TV Interface;No Function; T5x\\ D/C, NO REPL: Part will show as orderable until stock is depleted.	YES TV. Used for NON refurb console
AN3	0000084697	Bracket;Console Support MTG;Right;BL;TM5	
G15	0000086068	Cover;Sensor;Upper;ABS/PA-746;MT-11010;	
G16	0000085274	Cover;Sensor;L;ABS/PA-746;426C;TM501;	
G17	0000085275	Cover;Sensor;R;ABS/PA-746;426C;TM501;	
G22	1000354653	Connect;;;;;;Phone Board;1000(TKP,H20J2	See service bulletin "Earphone Board Update".
G23	0000086672	Heart Rate Sensor Wire;Left;700(H6630R1-02+11	

G24	0000086673	Heart Rate Sensor Wire;Right;700(H6630R1-02+11
G50	0000086277	Screw;TH;M8X1.25PX20L;;HS;MT;BAN;;BP
G51	0000087858	Screw;Round;M3X0.5PX12L;;PH;SSTSUS304;BAN;
G52	0000095642	Screw;BH;M5X0.8PX16L;;PH;;BED;;BP
G53	0000092900	Screw;BH;M3x0.5Px6L;MT;PH;CST;BZN;BP
N02	0000084595	Cover;Console Rear;ABS/PA-746;MX\\ D/C, NO REPL: Part will show as orderable until stock is depleted.
N03	0000084596	Cover;Console;Bottom;ABS/PA-746;MX
N04	0000084597	Cover;Upper Console Plastic;Left;ABS/PA746;MX-S
N05	0000084598	Cover;Upper Console Plastic;Right;ABS/PA-746;MX-S
N06	0000084599	Arm Rest;Left;PU;MT-11345;426C;T5x-02;
N07	0000084600	Arm Rest;Right;PU;MT-11345;426C;T5x-02;
N08	0000084680	Cup Holder;Left;TPR+30%PP;80435;TM501;
N09	0000084681	Cup Holder;Right;TPR+30%PP;80435;TM501;
N100	0000089112	Spacer;Support;MEA-05;PINGOOD;
N102	0000083655	Heart Rate Board Receiver;Inbuilt;All in one;SALUTRON 850
N103	0000089111	Tape;Dual Sided;20x30x3t;TM501;
N11	0000084682	Cover;Console Mast;Left;ABS/PA-746;80435;TM
N12	0000084683	Cover;Console Mast;Right;ABS/PA-746;80435;TM
N18	0000085276	Cover;IPOD JACK;ABS/PA746;80435;
N19	1000216152	Fan ADJ Plate;SUS304;0.3t;T9000;
N20	0000084935	Bracket;Console Mast Mtg;Left;SPHC;4.0T;BED
N202	0000092696	Fixing Plate;Fan;0.8t;T5x-02;
N203	0000095575	Tape;Foam;One-Sided;50x15x1.5T;
N21	0000084936	Bracket;Console Mast Mtg;Right;SPHC;4.0t;BED
N30	0000085980	Fix Plate;Emergency;SPHC;1.6t;BED;TM501;
N33	0000086064	Cover;Console;Right;ABS/PA-746;BL;TM501;
N34	0000086065	Cover;Console;Left;ABS/PA-746;BL;TM501;
N38	0000086137	Bracket;Console Tray Support MTG;T5x-02;
N39	1000213930	Console Tray
N44	0000086072	Cover;Safety Key;Down;ABS/PA746;1797C;TM501

Per customer request. Note: This cover is used to remove the options for iPod connectivity. To install, disconnect and remove iPod cable from console and conceal input with cover.

N45	0000089481	Wire;Console Set;50(99471+KST MDFNYD2-25
N46	0000089482	Wire;Console Set;80(99471+KST FDFNYD2-25
N48	0000089484	Wire;Console Set;130(99471BS-2+J1431BS-2
N49	004361-00	Screw;Phillip;BH;M4x0.7Px10L;Ni;Gap;
N49	020185-00	Screw;Phillip;BH;Tapped;4x10L
N90	004983-A	Insert Nut;Hex;NKHS-8125-2.5(M8x1.25P)
N91	0000088493	Insert Nut;RVN;;NLS7-580-3.3(M5X0.8P);;ZINC;;
N95	0000085778	Wire;UCB Little Board;550(3M1DC 7920-B50
N97	0000085776	Wire;Hand Pulse;250(2510A-03+XAP-03);TM5
N98	0000085777	Wire;Hand Pulse Sensor;180(2510-06+H6630
Not Shown	0000086163	Carton;Console Set;Include Printing;1US;
Not Shown	0000095140	Manual;Assembly;English;TM501C;
P09	0000086676	Signal Wire;TV;U;2100(FM-0086-NBG7)
P12	0000086159	Signal Wire;C-SAFE;1750(H6630R1-08+XAP-0
P29	1000201167	Console Cable Communication Wire;2000(MOLEX,50-70-9408x
P33	003383-A	Ferrite Choke;FH0900B-2;Lian Ci;TM38
P34	003393-A	Ferrite Core;FH1500B;TM87 K1 RH12.5x12.5x8
T02	0000084630	Safety Switch;R13-69;TM501;
T03	0000084631	Wire;E-Stop Switch;550(250X2+6630R1);TM5
T56	004614-00	Screw;BH;3X10L;SM;PH;;BAN;;POT
T58	0000093244	Screw;Phillip;BH;Tapped;4x8L;Zn-BL;
W01	1000344724	Console Control Board Set;;;English over
W02	0000089497	Sound Interface Board Set;TM501;SBOM;
W09	061339-B	Fan;DC12V/0.3A PMB1297PYB3-AY;EP70
W16	0000086687	Connector Wire;Speech Sounds;200(XAP-07X
W18	0000084636	Wire USB;250(XAP-06-1X2)
W19	0000084635	Signal Wire;CARDIO+EPORT;T5x-02
W42	008864-A	Screw;Special;Round;2.9x1.06Px7L(Hi-Lo)
W42	008864-A	Screw;Special;Round;2.9x1.06Px7L(Hi-Lo)
W43	008865-B	Screw;Special;Round;2.9x1.06Px12L(Hi-Lo)
W44	008864-A	Screw;Special;Round;2.9x1.06Px7L(Hi-Lo)

This board has been redesigned (~3/2014). The original board has been discontinued. The connections on this board may not be compatible with the original console.



W56	008866-A	Screw;Special;Round;4.0x1.34Px12L(Hi-Lo	
W56	008866-A	Screw;Special;Round;4.0x1.34Px12L(Hi-Lo	
W57	005157-A	Washer;Flat;4.3x12.0x1.0T;Black Zinc	
W59	008864-A	Screw;Special;Round;2.9x1.06Px7L(Hi-Lo)	
W60	005094-00	Washer;Flat;3.2x8.0x1.0T;Black Zinc	
W61	0000092694	Screw;Phillip;Round;M5x0.8Px12L;	
W62	005024-A	Washer;Flat;5.2X16.0X1.0T;;BZN;	
W63	0000088743	Screw;TRH;M3x.5Px6L;MT;PH;CST;ZNC;F-T	
W63	0000088743	Screw;TRH;M3x.5Px6L;MT;PH;CST;ZNC;F-T	
W63	0000088743	Screw;TRH;M3x.5Px6L;MT;PH;CST;ZNC;F-T	
Z11	004541-AC	Screw;Hex Socket;Round;M8x1.25Px45L;Chromed	
Z12	035882-AB	Screw;SH;M8x1.25Px75L;MT;HS;G12.9;CHM;P-	
Z13	020072-00	Screw;SH;M8X1.25PX60L;;HS;;BAN;;	
Z14	0000086571	Washer;FLT;8.2X16.0X2.0T;SPHC ;CHM;	
Z15	004859-AC	Screw;BH;M8X1.25PX20L;;HS;;CHM;;	
Z16	062769-00	Screw;Hex Socket;Round;M8x1.25Px15L;BED;	
Z17	004539-AD	Screw;Round;Hex Socket;M8X1.25PX25L;Chromed	
Z18	004385-00	Screw;BH;M5X0.8PX12L;;PH;;BAN;;	
Z19	0000088905	Bushing;Threaded Flange;M8x10x16x8Lx2T	
Z20	0000089835	Washer;Ribbed lock;8.5x12.8x0.8tx1.3h;	
17	Order Separately	Console Cable Set;TM501C;T5x-03-C;	
AG10	Part of Kit 6	Extrawork;Cover;Control;M;Print;TM501;	
AG2	Part of Kit 4	Handlebar;MT-11345;426C;	
AG3	Part of Kit 6	Overlay Set;START FAST;T7x-01;	
AN13	Part of Kit 3	Vent;Fan;ABS/PA-746;Pantone:877C;TM501;	
AN9	Part of Kit 1	Cover;Safety Key;U;Printing;T5	
G21	Part of Kit 7	Ear Phone Board;JHT-U07AB5-H002;T5x-03;	
N101	Part of Kit 14	Fix Plate;SPHC;1.6t;BED;T5x-02;	
N152	1000206285	Spec Label;TUV;-;-;-;	
N92	Part of Kit 15	UCB Translator Board;U07AA3_H001;TM501;	
Not Shown	0000091980	Insert;Warning;P.C.R Bracket;TM501-Z21;	
W13	Part of Kit 13	Speaker Set;AK-402808BC-3T+280+XAP-02;TM	
1	0000088982	Switch Set;Emergency Stop TM501;T5x-02;	Discontinued
1	<b>1000233602</b>	Safety Key Set;-;-;T5X-02	Discontinued
15	<b>0000089500</b>	UCB Interface Board Set;TM501;T5x-02;	Discontinued

4	0000088985	Handlebar Assembly;TM501;SBOM;	Discontinued
6	0000088987	Quick Start Overlay Set	Discontinued
7	0000094434	Ear Phone Board Set	
AN11	013862-A	Safety Key Set;Clip & String	Discontinued
AN11	1000231246	Safety Switch Set;BL Rope;TM501-1US;TM50 Overlay Set;For Console withOUT TV - D/C, NO REPL Part will show as orderable until stock is depleted	Discontinued
AN20	0000088538		Discontinued - NO TV. 14 Pin
AN7	0000086055	Console Front Faceplate Set;T5x-02;	Discontinued
AN7	1000217795	Extrawork;Cover;Overlay;Printing;T5x-05;1000217795 Overlay Set;Program Interface\\ D/C, NO REPL: Part will show as orderable until stock is depleted.	Discontinued
AN8	0000093274		Discontinued
G22	0000086160	Phone Board Wire;1000(TKP,H20Y1-08+JST,P	Discontinued
N19	0000080710	Fan Adjustment Plate;SUS304 0.3t;TM98-N11C;	Discontinued
N39	0000086138	Console Tray;Anti-Slip Rubber;MT-11010;4	Discontinued
N39	1000213930	Console Tray	Updated per ECR#2859
W01	1000205907	Console Board;H004S008;Coating;T5x-03;	Discontinued
W10	0000085205	RF Control Module Set;300L;T5x-02;	Discontinued